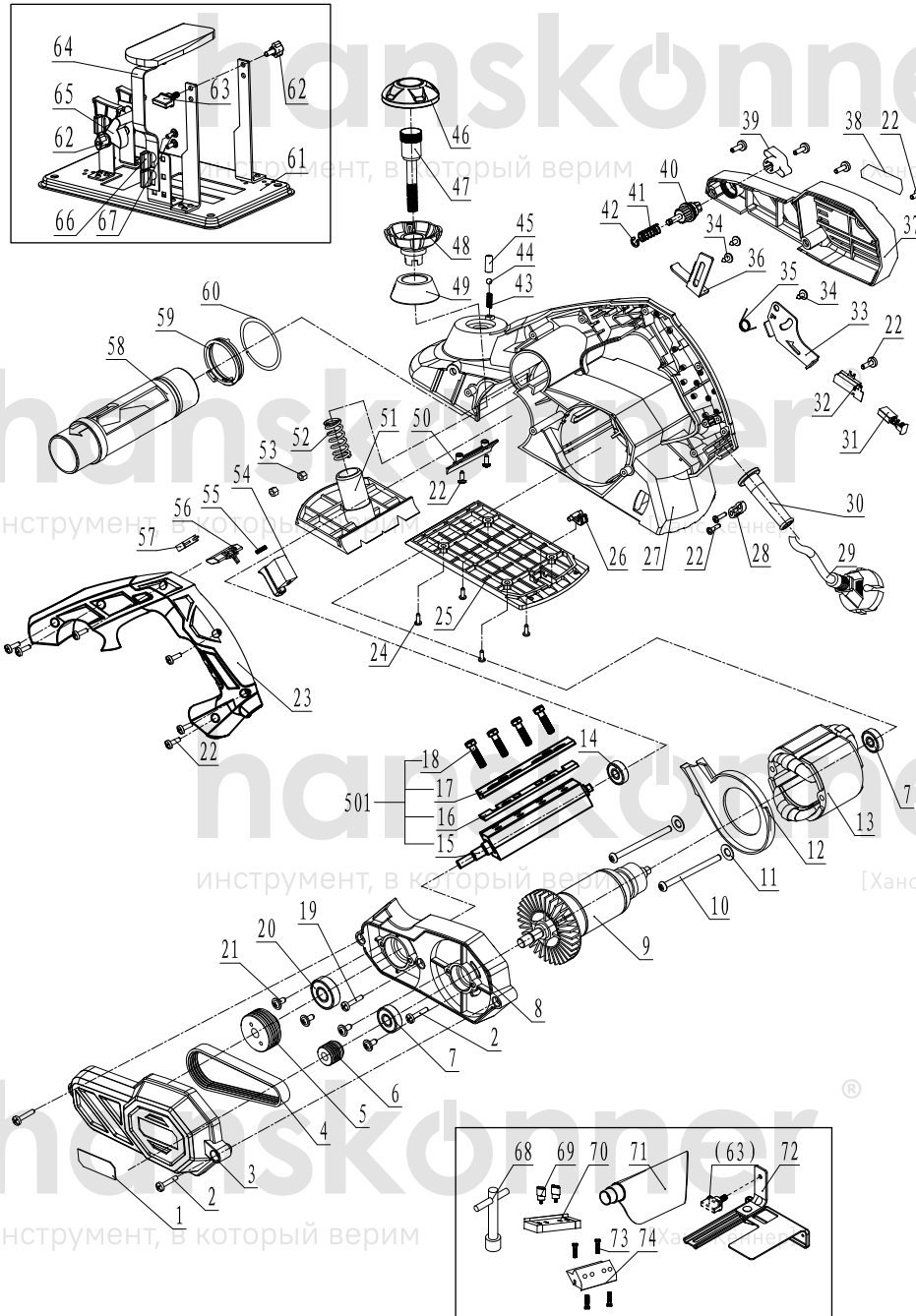


# HP11113



NO.	DESCRIPTION	NO.	DESCRIPTION
1	LOGO STICKER	39	DEPTH ADJUSTMENT KNOB
2	SELF LOCKING CROSS PAN HEAD SCREW ST4.2×22-F	40	DEPTH ADJUSTMENT LEVER
3	BELT COVER	41	COMPRESSION SPRING $\Phi 6.8 \times \Phi 0.7 \times 2$
4	BELT 5PJ285	42	SPLIT WASHER 4
5	LARGE BELT WHEEL	43	COMPRESSION SPRING $\Phi 1.85 \times \Phi 0.45 \times 10$
6	SMALL BELT WHEEL	44	STEEL BALL $\Phi 2.5$
7	BEARING 628-2Z	45	SMALL STEEL BUSHING
8	MIDDLE COVER GUARD	46	UPPER HANDWHEEL COVER
9	ROTOR	47	CONNECTING SCREW
10	SELF LOCKING CROSS PAN HEAD SCREW ST4.2×60-F	48	LOWER HANDWHEEL COVER
11	FLAT WASHER 4×12×1	49	DIAL
12	BREAK WIND RING	50	DUST BOARD
13	STATOR	51	FRONT BASEBOARD
14	BEARING 607-2Z	52	COMPRESSION SPRING $\Phi 13.1 \times \Phi 3.2 \times 4$
15	BLADE PIVOT	53	THICK HEXAGON NUT M6
16	PLANE BLADE	54	SWITCH
17	PLANER PRESSING PLATE	55	COMPRESSION SPRING $\Phi 4.7 \times \Phi 0.6 \times 8$
18	HEXAGON BOLT M6×25	56	SWITCH REVERSE LOCK LEVER
19	SELF LOCKING CROSS PAN HEAD SCREW ST4.2×18-F	57	CAPACITANCE
20	BEARING 6000-2Z	58	AIR DUCT
21	CROSS PAN HEAD GASKET SCREW M4×10	59	LOCATING RING
22	SELF LOCKING CROSS PAN HEAD SCREW ST4.2×14-F	60	WIRE STOP RING FOR SHAFT 42×1.5
23	HANDLE COVER	61	INVERTED SUPPORT CONSTRUCTION
24	SELF LOCKING CROSS PAN HEAD SCREW ST4.9×16-F	62	COMPRESSION KNOB
25	BACK BASEBOARD	63	COMPRESSION KNOB
26	SUPPORTING BLOCK	64	INVERTED BAFFLE CONSTRUCTION
27	HOUSING	65	SWITCH CONTROL BLOCK
28	CABLE CLAMP	66	LOCKING KNOB
29	CABLE	67	CUP HEAD SQUARE NECK BLOT M6×12
30	CABLE SHEATH	68	SOCKET SPANNER 10
31	CARBON BRUSH	69	KNIFE FASTENING KNOB
32	CARBON BRUSH HOLDER	70	FEELER BLOCK
33	BAFFLE PLATE	71	DUST BAG MODULE
34	SELF LOCKING CROSS PAN HEAD SCREW WITH WASHER ST4.2×10	72	BACKING MODULE
35	TORSIONAL SPRING $\Phi 11 \times \Phi 1 \times 3$	73	HEXAGON BLOT M6×12
36	DEPTH GAUGE	74	SHARPNER BLOCK
37	SIDE COVER	501	CUTTER BODY
38	PARAMETER LABELING		